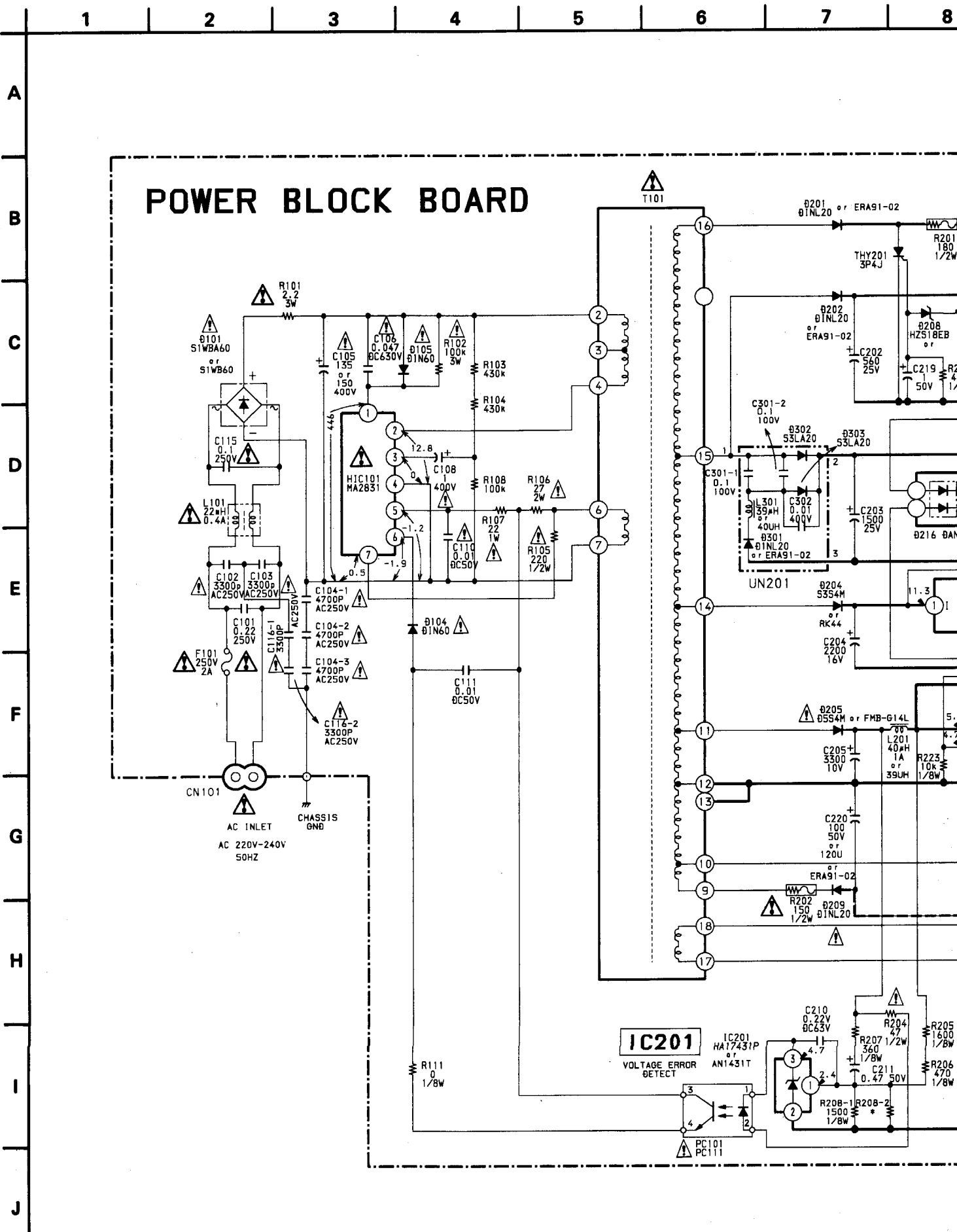


[SCHEMATIC DIAGRAM]

- Ref. No.: Power Block Board; 10,000 series -

# POWER SUPPLY



# PLY POWER SUPPLY

8      9      10      11      12      13      14      15

